



Description

Attractive and durable, Mircom's MS-400U Series of manual stations provide manual fire reporting. The MS-400U Series manual stations are non-coded, single or double action devices which initiate an alarm when pulled. Resetting is accomplished by inserting a 1/8" screwdriver from the front. The handle, once pulled will remain open and cannot be reset without utilizing the screwdriver.

The MS-400U Series manual stations are constructed of durable aluminium and finished in red. An abrasion resistant label with large, raised letters provides clear legible instructions.

The model MS-402U (two stage) is similar to the MS-401U (single stage) except it contains an additional General Alarm (G.A.) N.O. switch. For safety reasons, the G.A. switch is only accessible after the handle has been pulled. A special key is supplied with each unit.

The model MS-405U is similar to the MS-401U except it has an additional N.O. switch. The model MS-406U is similar to the MS-402U except it has an additional N.O. switch. The model MS-407U is similar to the MS-401U except it has an additional N.C. switch. The model MS-408U is similar to the MS-402U except it has an additional N.C. switch. All manual stations can be easily converted from single action to double action station by the addition of the MS-DA double action lever.

Features

- Durable Extruded Aluminium Construction
- Attractive, Low Profile Design
- Standard Single Gang Mount
- Converts to Double Action
- Glass Rod Optional (one provided)

Operation

Pulling on the station's handle will release the internal switch to trigger the alarm detection circuit.

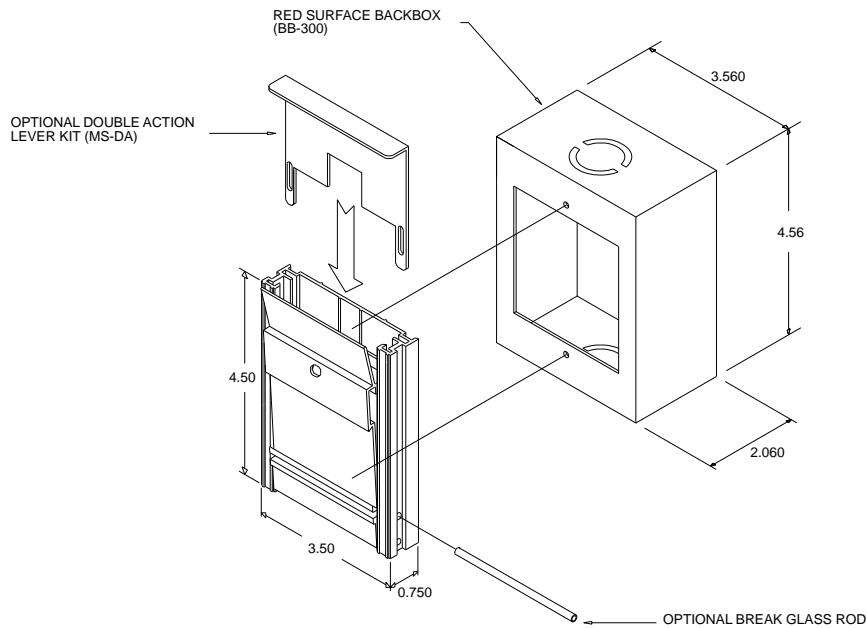
The MS-402U, MS-406U and MS-408U (two stage versions) also provide a key switch which is accessible after the handle has been pulled. Operation of the key switch, when connected to a separate general alarm circuit, will initiate the 2nd stage of a two stage alarm signalling system.

Specifications

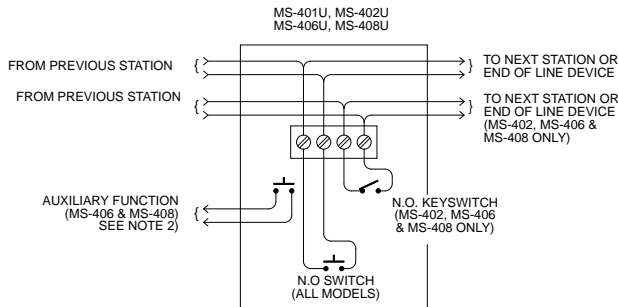
The single action manual station shall be Mircom's MS-400U Series. Operating instructions shall be in raised English lettering and the unit shall be constructed of extruded aluminium, finished in red enamel paint to provide quick identification. Pulling the handle shall initiate immediate operation of the alarm detection circuit. In addition, those stations installed in a two stage system shall come equipped with an internal key switch designed to operate the 2nd stage alarm initiating circuit. All manual fire alarm stations shall be installed as per the specific requirements outlined in the UL codes, as well as all other applicable national or local codes.



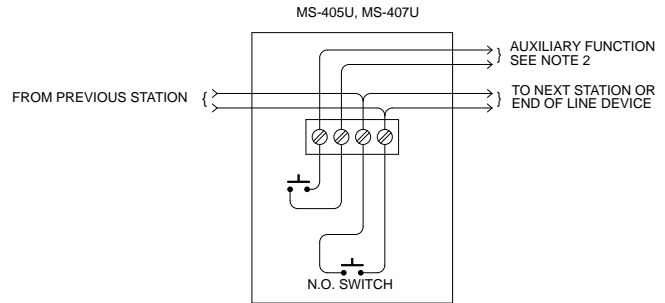
Dimensions



Wiring Diagrams



- NOTES:
1. WIRE AS SHOWN SO THAT SUPERVISION OF CONNECTIONS IS MAINTAINED.
 2. N.O. SWITCH FOR MODEL MS-406
 3. MOUNT STATION TO 2" X 4" X 2 1/4" OUTLET BOX.
 4. SWITCH RATING: ALL MODELS 1A @ 30 VDC



- NOTES:
1. WIRE AS SHOWN SO THAT SUPERVISION OF CONNECTION IS MAINTAINED.
 2. N.O. SWITCH FOR MODEL MS-405
 3. MOUNT STATION TO 2" X 4" X 2 1/4" OUTLET BOX.
 4. SWITCH RATING: ALL MODELS 1A @ 30 VDC

Ordering Information

Model	Description
MS-401U	Single Stage Manual Station
MS-402U	Dual Stage Manual Station
MS-405U	Single Stage Manual Station with additional N.O. Switch
MS-406U	Dual Stage Manual Station with additional N.O. Switch
MS-407U	Single Stage Manual Station with additional N.C. Switch
MS-408U	Dual Stage Manual Station with additional N.C. Switch
MS-DA	Double Action Lever Kit (converts any of the above to double action stations)

NOT TO BE USED FOR INSTALLATION PURPOSES.



Canada
 25 Interchange Way
 Vaughan, Ontario L4K 5W3
 Telephone: (905) 660-4655
 Fax: (905) 660-4113

U.S.A.
 4575 Witmer Industrial Estates
 Niagara Falls, NY 14305
 Toll Free: (888) 660-4655
 Fax Toll Free: (888) 660-4113

Web page: <http://www.mircom.com> Email: mail@mircom.com

Distributed by:

ISO 9001:2008
 REGISTERED



CAT. 5102
 Rev. 6