



### Features

- 25 & 70 volt line matching transformers
- High dBA output (over 90 dBA at 10 feet @ 2 watts)
- D.C. blocking capacitor for line supervision
- Terminal block connection for speaker tap/output selection
- Multiple output taps. Selection for ¼, ½, 1 or 2 watts
- Moisture resistant
- Fire retardant cone material
- Factory assembled and tested
- Each speaker is equipped with a ground wire
- Off white speaker baffle
- Round or square baffles

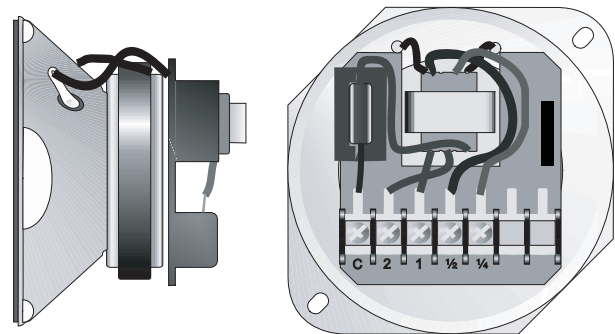
### Description

Mircom's SP-Series 4" Speakers are designed for broadcasting high quality tone signals and are ideal for alarm signaling in hotels, malls, apartments and other areas where attractive appearance and dependable performance are prime concerns.

The SP-Series 4" Speakers consist of a loudspeaker, 6 oz. magnet, a low profile constant voltage line matching transformer, a D.C. blocking capacitor and an all steel speaker baffle finished in an off white colour. The 25 and 70 volt transformers are of the matching type and include output power taps of ¼, ½, 1 and 2 watt(s). Tap selection is made by wiring into the appropriate slot on the speaker's terminal block. The SP-Series speakers install easily using the surface or flush backboxes.

Mircom fire alarm speakers are specially designed for high quality emergency fire alarm signals and voice communication. These units must be used with Mircom's QX-5000 Voice Evacuation System or any voice alarm equipment approved by Underwriters Laboratories of Canada (ULC).

### Wiring Instructions



Desired wattage is selected by wiring into the corresponding terminal on the speaker terminal block.



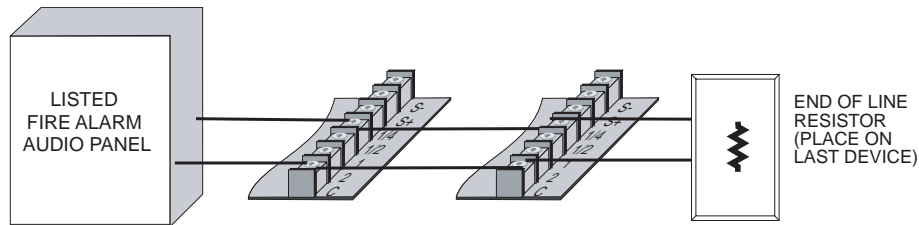
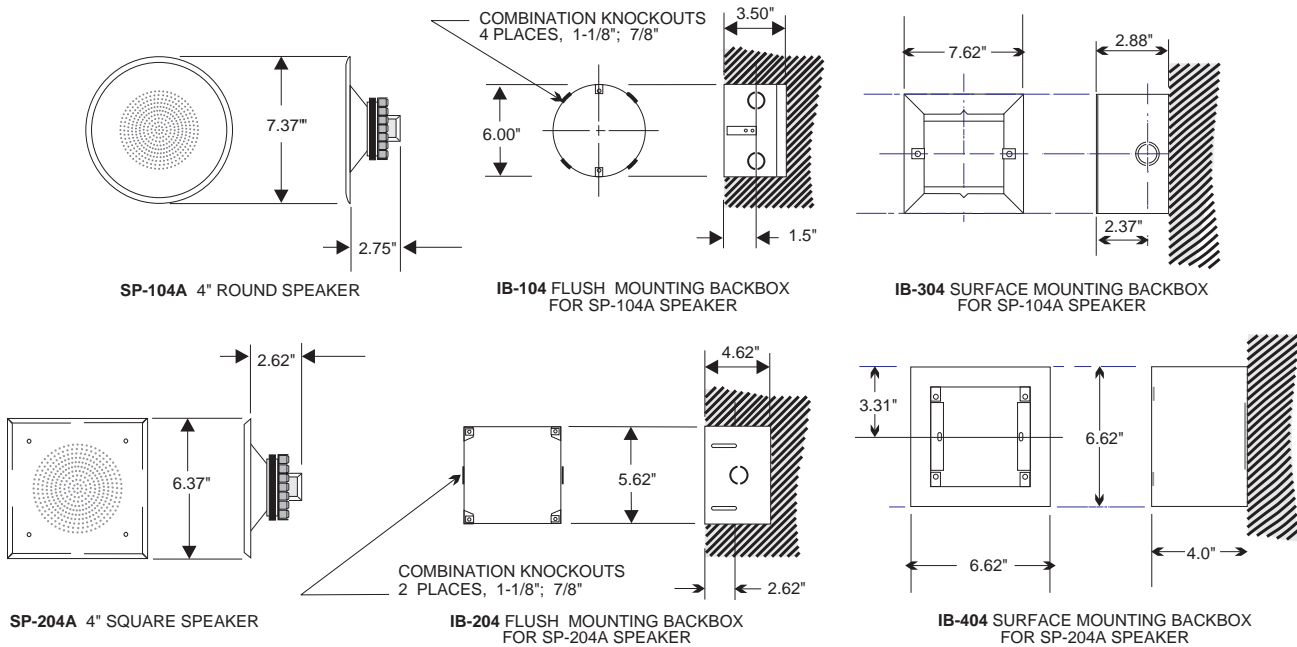
## Speaker Specifications

MODEL NUMBER	SPEAKER VOLTAGE	SPEAKER dBA 10 FT.				MOUNTING CONFIGURATIONS		BAFFLE SHAPE
		WATT TAP		TYPICAL dBA		FLUSH	SURFACE	
		¼ WATT	½ WATT	1 WATT	2 WATT			
SP-104A-25	25	85	86	89	91	IB-104	N/A	ROUND
SP-104A-70	70	85	86	89	91	IB-104	N/A	ROUND
SP-204A-25	25	85	86	89	91	IB-204	IB-404	SQUARE
SP-204A-70	70	85	86	89	91	IB-204	IB-404	SQUARE

dBA Sound Pressure Level is measured using the transformer tap shown at a distance of 10 feet (3 meters). This measurement is obtained in accordance with ULC Standard CAN/ULC-S541-M87.

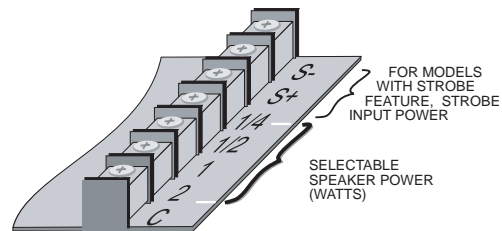
**NOTE: All Mircom enclosures are equipped with a ground screw hole. Each speaker unit is equipped with a ground wire.**

## Installation Instructions



### CAUTION

**DO NOT LOOP SIGNAL CIRCUIT FIELD WIRES AROUND TERMINALS. ELECTRICAL SUPERVISION REQUIRES WIRE RUN TO BE BROKEN AT EACH END.**



NOT TO BE USED FOR INSTALLATION PURPOSES.

**Mircom™**

**Canada**

25 Interchange Way  
 Vaughan, Ontario L4K 5W3  
 Telephone: (905) 660-4655  
 Fax: (905) 660-4113

**U.S.A.**

4575 Witmer Industrial Estates  
 Niagara Falls, NY 14305  
 Toll Free: (888) 660-4655  
 Fax Toll Free: (888) 660-4113

Web page: <http://www.mircom.com> Email: [mail@mircom.com](mailto:mail@mircom.com)

Distributed by:

ISO 9001:2008  
 REGISTERED



CAT. 5700  
 Rev. 5