



Description

The abort station is designed for use with compatible systems. The abort station employs a momentary mushroom switch which, while held in, prevents discharge of the releasing agent.

The abort station is molded of a super tough polycarbonate that is rated for -40°F to 120°F (-40°C to 49°C).

Features

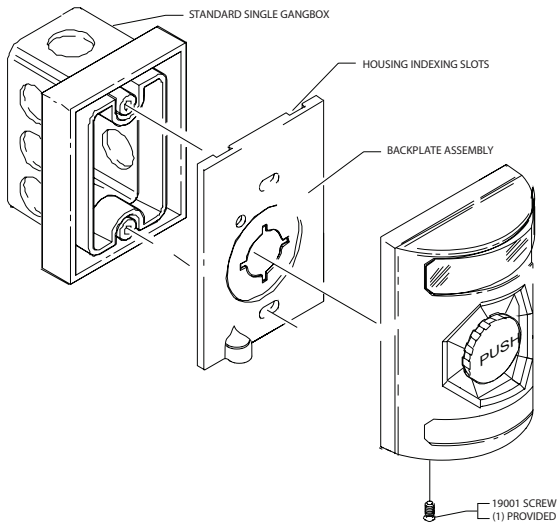
- Equipped with a momentary mushroom switch
- Unique, curved design helps protect against accidental activation
- Stainless steel backplate
- N.O. or N.C., SPST gold-plated contact blocks rated for 3 amps @ 600 VAC or 1 amp @ 250 VDC
- Station housing molded of super tough polycarbonate
- Polycarbonate rated -40°F to 120°F (-40°C to 49°C)
- Red faceplate
- ADA Compliant.
- Mounts in a single gang electrical box
- c-UL-us listed

The station includes one N.O. contact and one N.C. contact. The N.O. or N.C., SPST gold-plated contact blocks are rated for 3 amps @ 600 VAC or 1 amp @ 250 VDC.

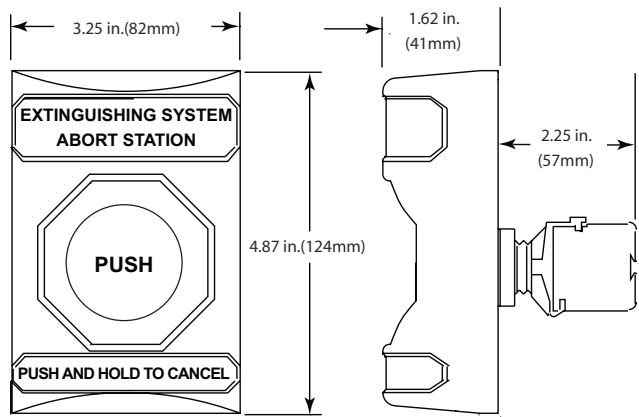
The abort station mounts in a standard single gang electrical box.



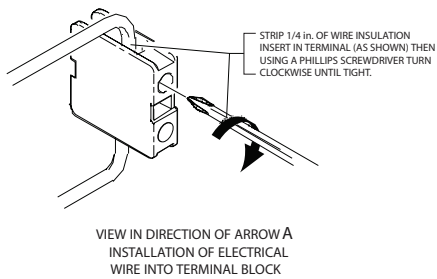
Mounting Diagram



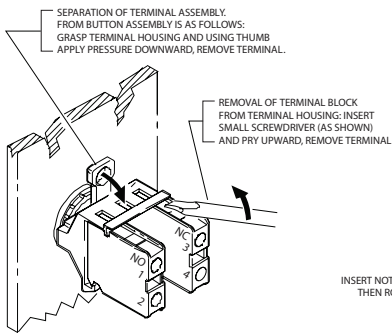
Dimensions



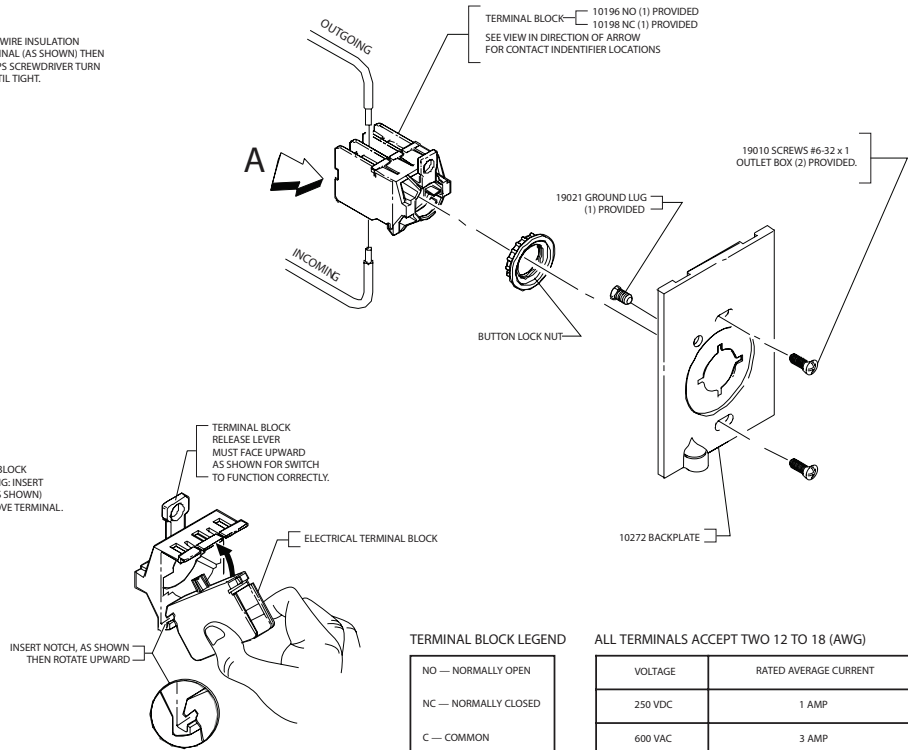
Wiring Diagram



VIEW IN DIRECTION OF ARROW A
INSTALLATION OF ELECTRICAL
WIRE INTO TERMINAL BLOCK



VIEW IN DIRECTION OF ARROW A
INSTALLATION AND REMOVAL OF TERMINAL BLOCKS AND
TERMINAL BLOCK ASSEMBLY FROM BUTTON ASSEMBLY



TERMINAL BLOCK LEGEND

| |
|----------------------|
| NO — NORMALLY OPEN |
| NC — NORMALLY CLOSED |
| C — COMMON |

ALL TERMINALS ACCEPT TWO 12 TO 18 (AWG)

| VOLTAGE | RATED AVERAGE CURRENT |
|---------|-----------------------|
| 250 VDC | 1 AMP |
| 600 VAC | 3 AMP |

Ordering Information

| Model | Description |
|---------|---------------|
| SS-2004 | Abort Station |

NOT TO BE USED FOR INSTALLATION PURPOSES.



Canada

25 Interchange Way
Vaughan, Ontario L4K 5W3
Telephone: (905) 660-4655
Fax: (905) 660-4113

U.S.A.

4575 Witmer Industrial Estates
Niagara Falls, NY 14305
Toll Free: (888) 660-4655
Fax Toll Free: (888) 660-4113

Web page: <http://www.mircom.com>

Email: mail@mircom.com

Distributed by:

ISO 9001:2008
REGISTERED



CAT. 5318
Rev. 2